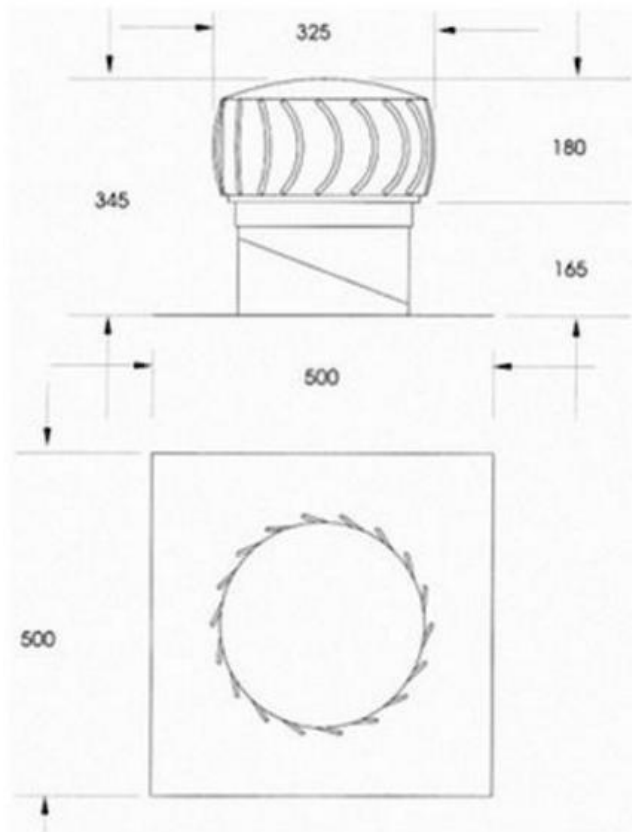


Supavent



Throat Diameter (mm)	Material	Extraction rate	Height (mm)	Width (mm)	Length (mm)	Package weight (kg)
250	Polycarbonate	1219 m ³ /hr	510	350	350	2.06



